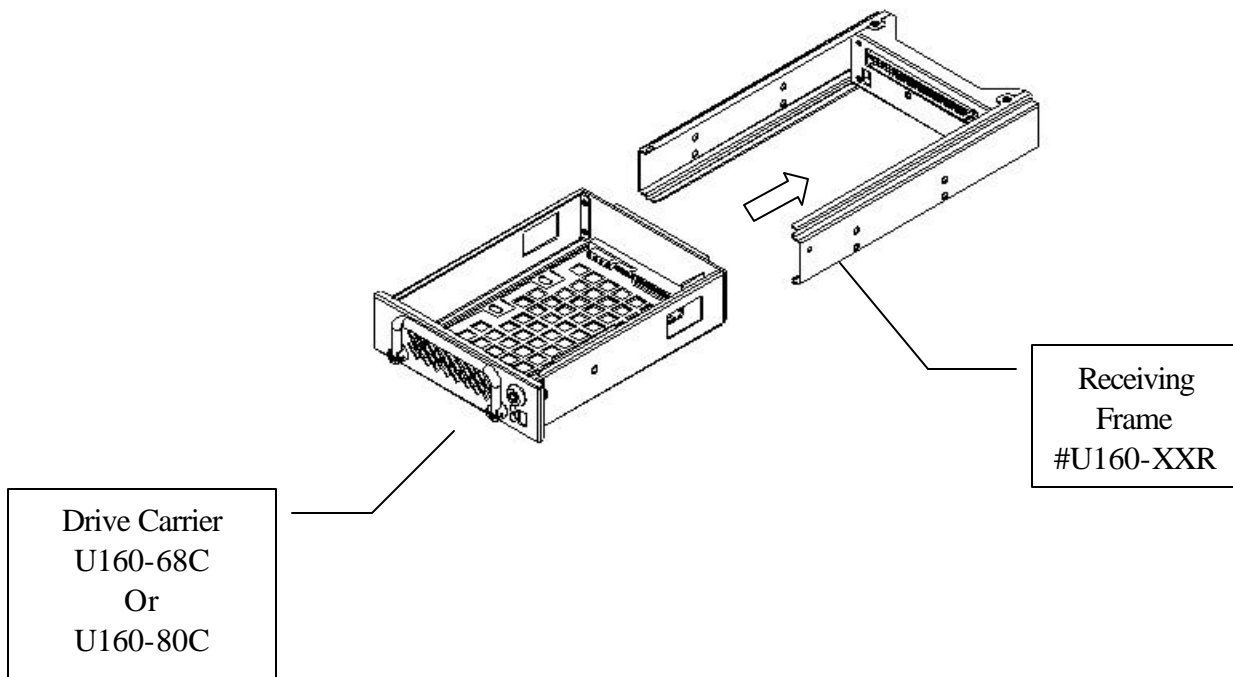


Adjile Systems Inc.
Drive Cage Model U160-68 and U160-80



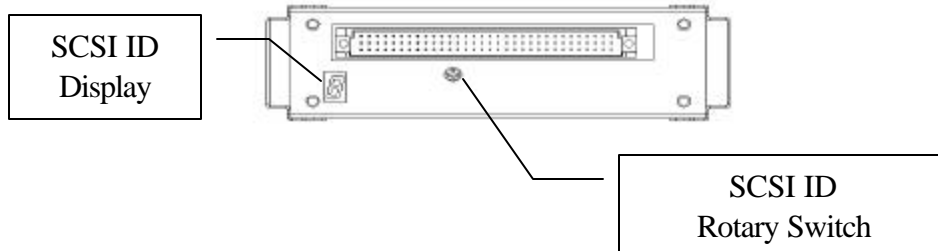
The U160-XX Drive Cage consists of two major parts the Drive Carrier (U160-68C for 68 pin drives or U160-80C for 80 pin drives) and Receiving Frame (U160-XXR).

The U160-68 Drive Cage is designed for 68-pin SCSI LVD drives. *This canister is designed to work with IBM, Quantum and Seagate drives, other drive manufacture might not utilize standard connectors.*

The U160-80 Drive Cage is designed for 80-pin (SCA) SCSI LVD drives.

Each U160-XX kit will come with one screwdriver to change SCSI ID, one set of keys, four screws (6-32 Philips countersunk) to mount the drive into the carrier and four screws (6-32 Philips pan head) to mount the receiving frame into an enclosure.

Front view of the receiving frame, U160-XXR



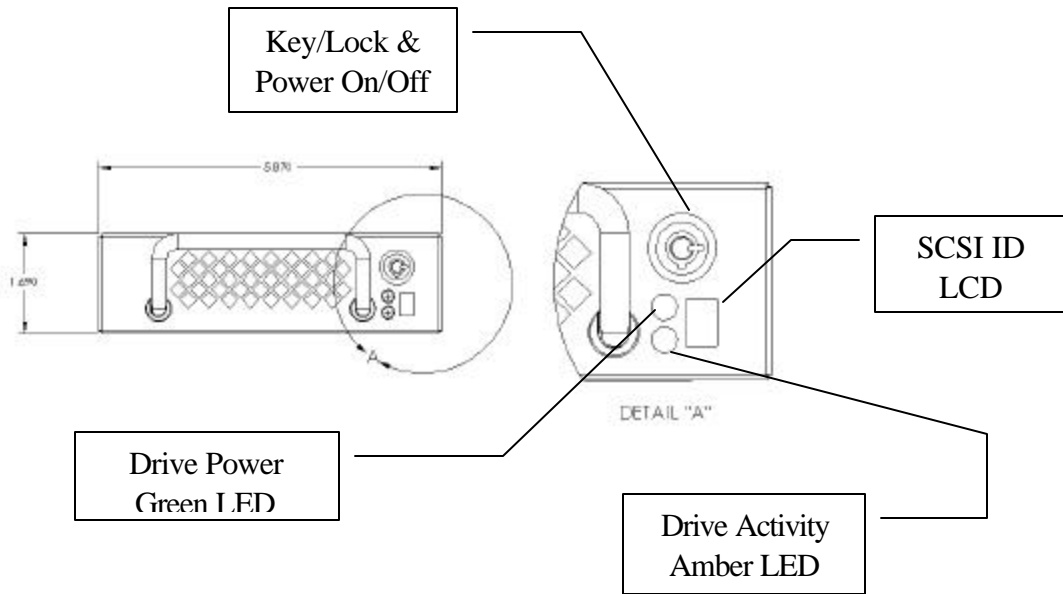
The SCSI ID rotary switch is resident on the receiving frame board. Power must be applied to the receiving frame in order to light the LCD and change the SCSI ID. To adjust the SCSI ID take the enclosed screwdriver and turn the rotary switch to the required SCSI ID.

The same receiving frame (U160-XXR) may be used for either the 68 or 80 drive canister.

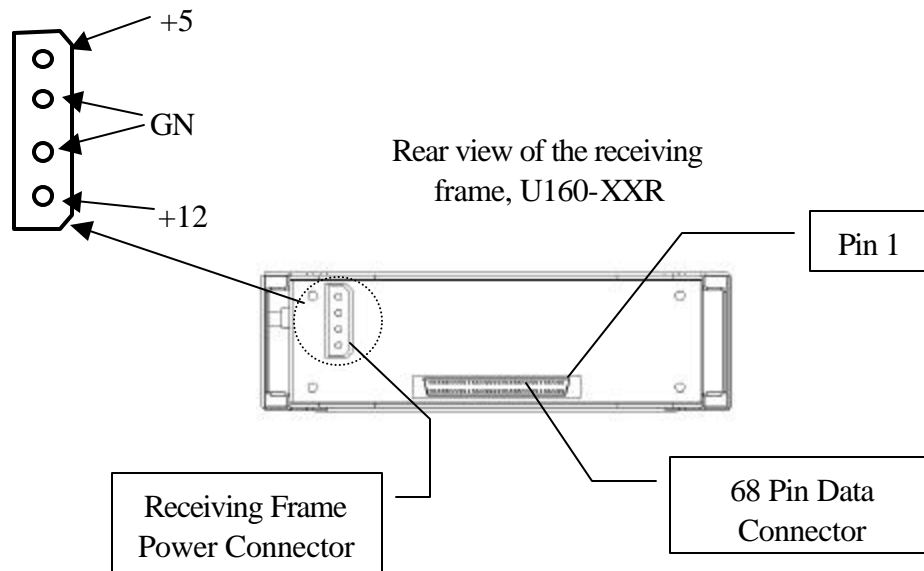
The chart below shows the SCSI ID numbers and the respective LED Display numbers.

16-Bit Ultra 160 SCSI ID Display

DISPLAY (HEX #)	SCSI ID	DISPLAY (HEX #)	SCSI ID
0	0	8	8
1	1	9	9
2	2	A	10
3	3	b	11
4	4	C	12
5	5	d	13
6	6	E	14
7	7	F	15



On the front of the of the drive carrier the SCSI ID is displayed along with the drive activity and power LED. The key lock turns on power and locks the carrier into the receiving frame. The key lock must be turned on to ready the SCSI ID.



The U160-XX-drive canister is designed to work at Ultra 160 with the correct internal SCSI cable and disk drives. In-order to work at these high speeds the internal cable must meet the following specifications:

Physical

Conductors: 30 awg solid tinned copper

Insulation: 007 TPE

Laminate: Fully laminated Polyester, top and bottom

Temperature Rating: 80°C

UL Style: 20744

CSA/FT1

Electrical

Impedance: 93 ohms single ended

131 ohms differential

Capacitance: 15.3pF / ft @ 1 MHz, single ended

11.4pF / ft @ 1 MHz, differential

Propagation Delay: 1.45 NS / ft nom

Voltage Rating: 150 volts

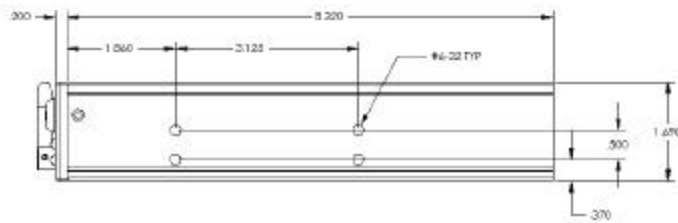
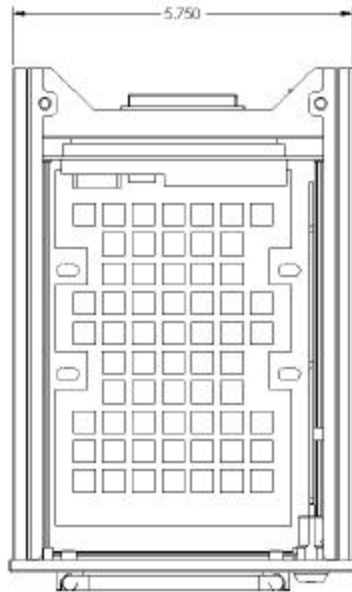
Current Rating: .75 amps

Delay Skew: .035 ns / ft max

The following cable(s) meet these specifications:

Spectra-Strip (125-3011-XXX)

The outside dimensions and mounting hole dimensions are detailed in the drawing below.



Adjile Systems Inc.
5816 Roseville Rd.
Sacramento, CA 95842
Phone 916-338-7660
Fax 916-338-7669
www.adjile.com